

PROVOX Vega

Puncture Set

  Provox Vega Puncture Set



MD

Rx ONLY



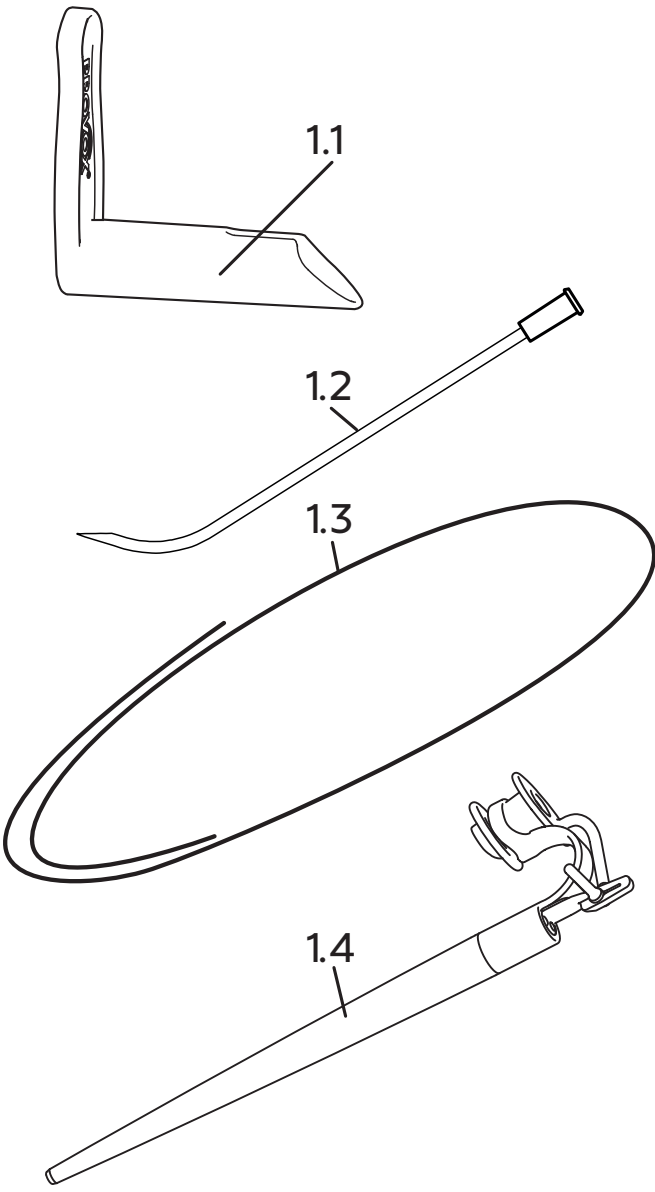
CE 0413



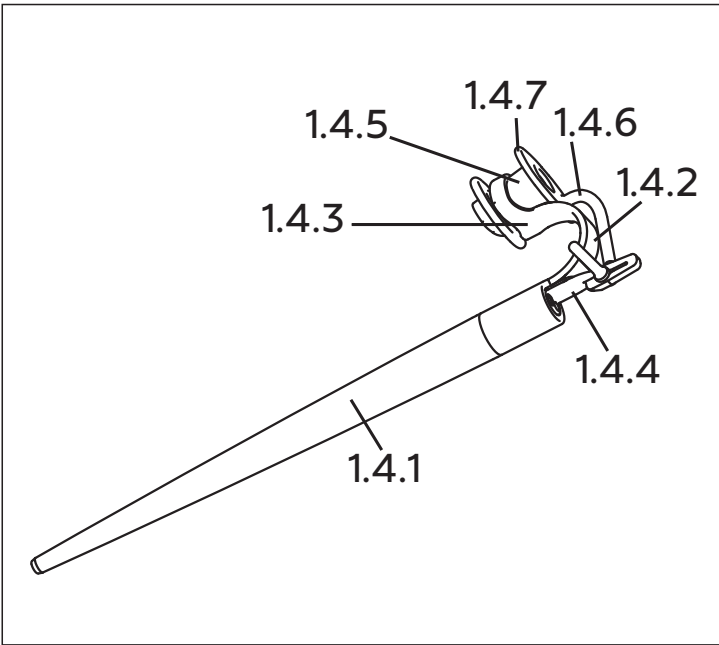
STERILE EO



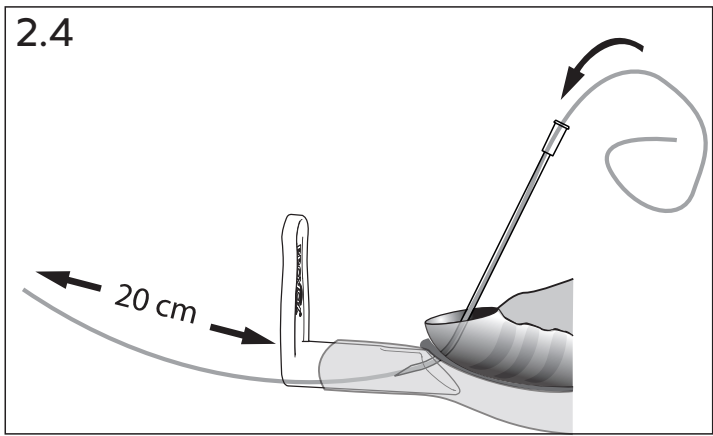
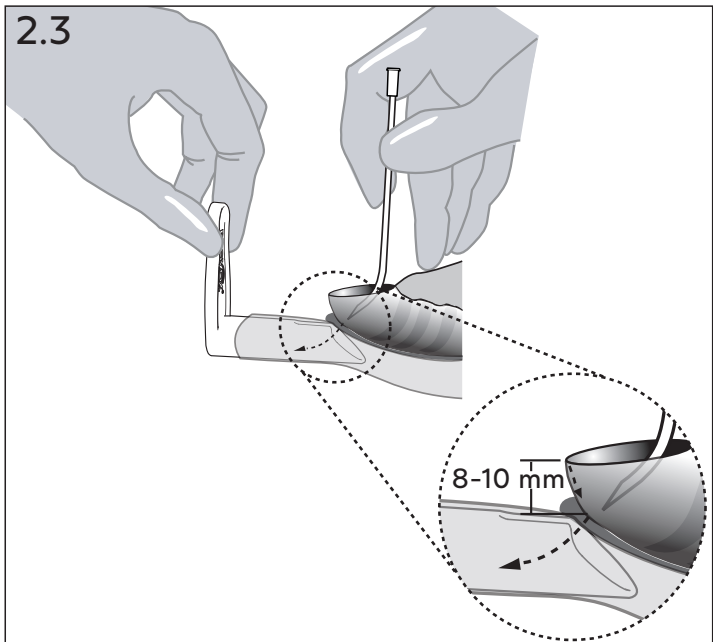
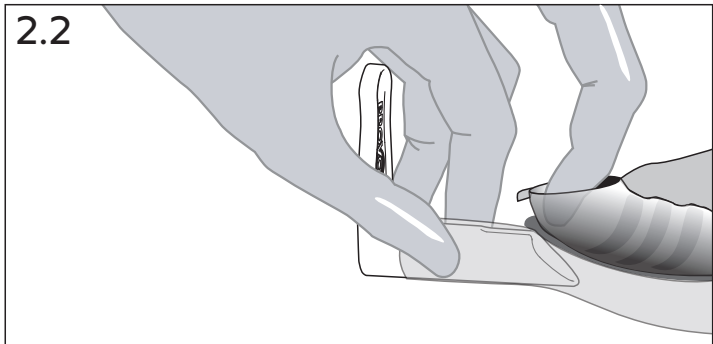
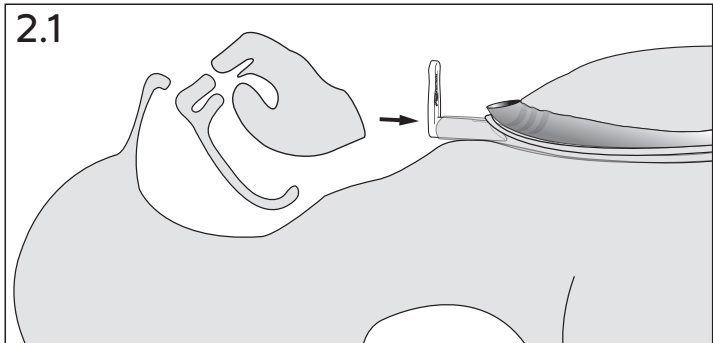
42°C
108°F
RT
2°C
35°F



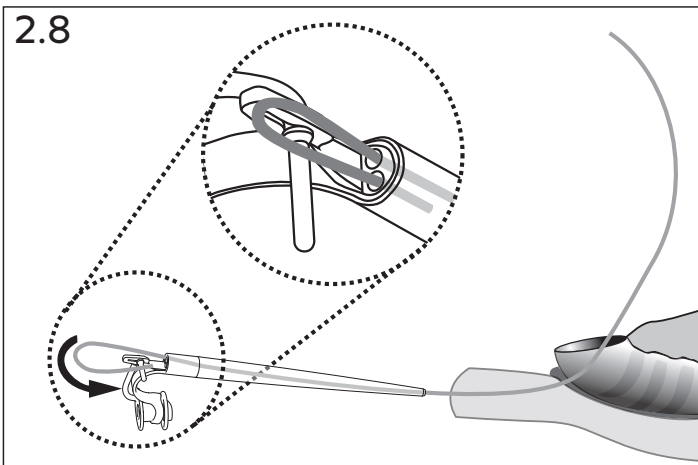
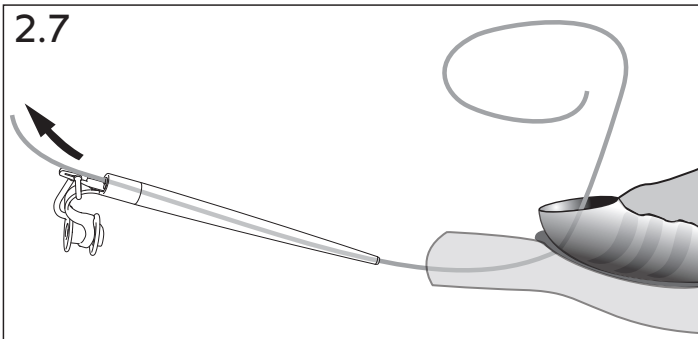
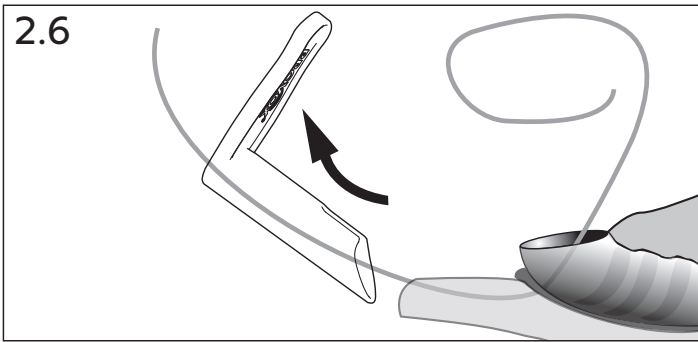
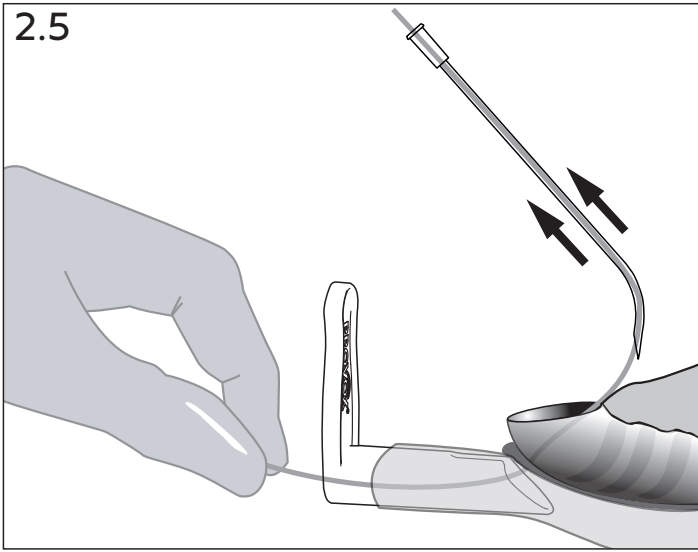
1. Provox Vega Puncture Set



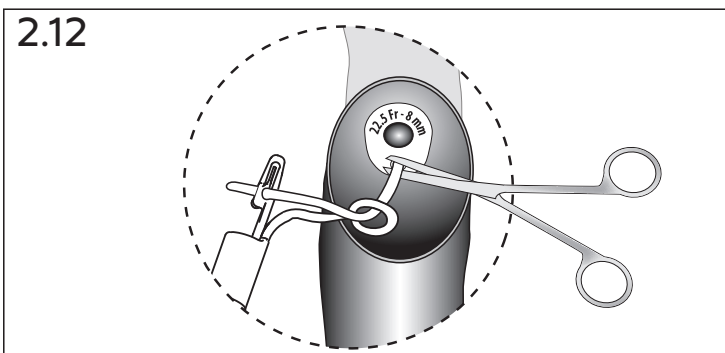
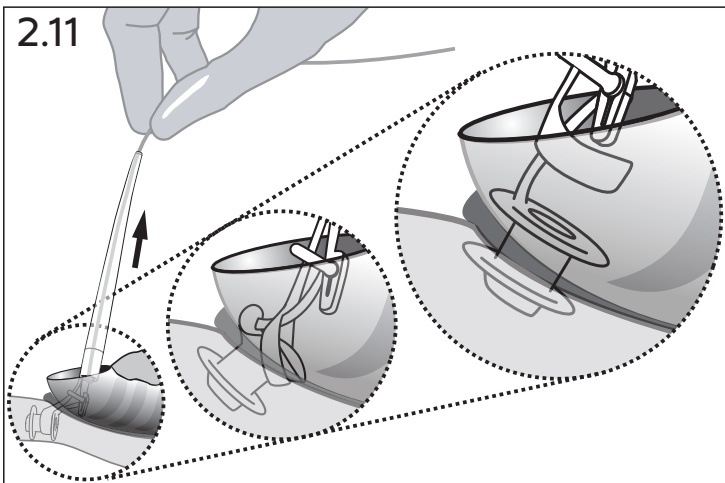
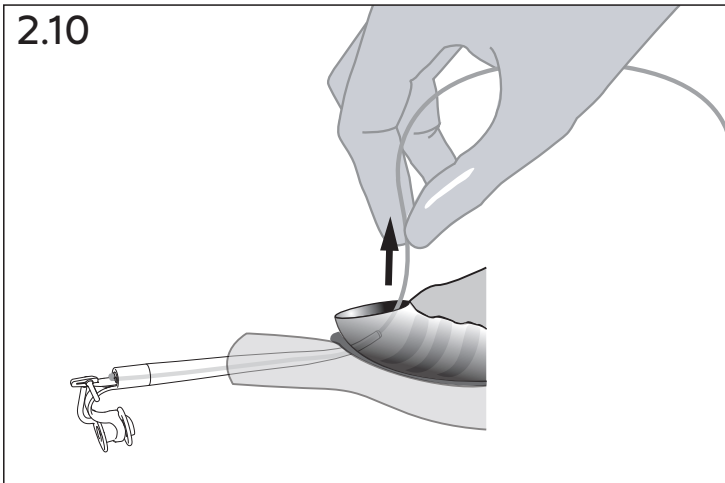
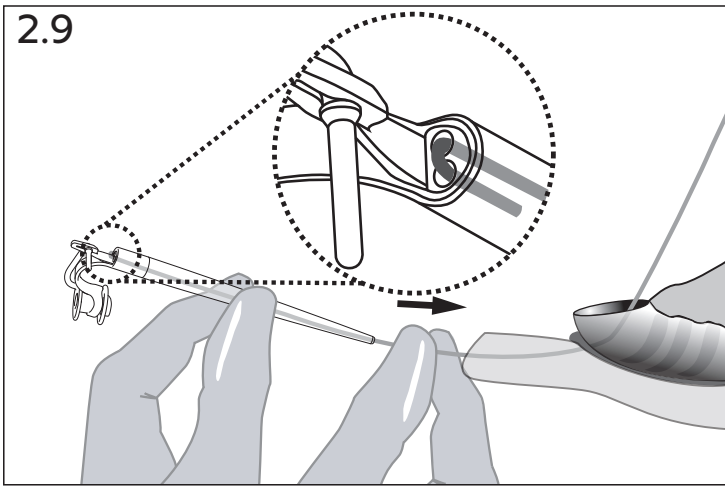
1. Provox Vega Puncture Set



2. Primary Puncture and Prosthesis placement

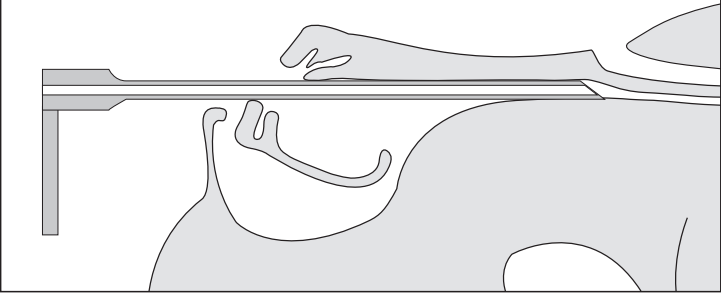


2. Primary Puncture and Prosthesis placement

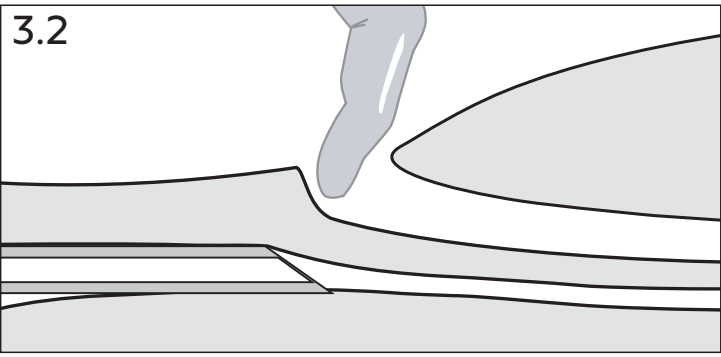


2. Primary Puncture and Prosthesis placement

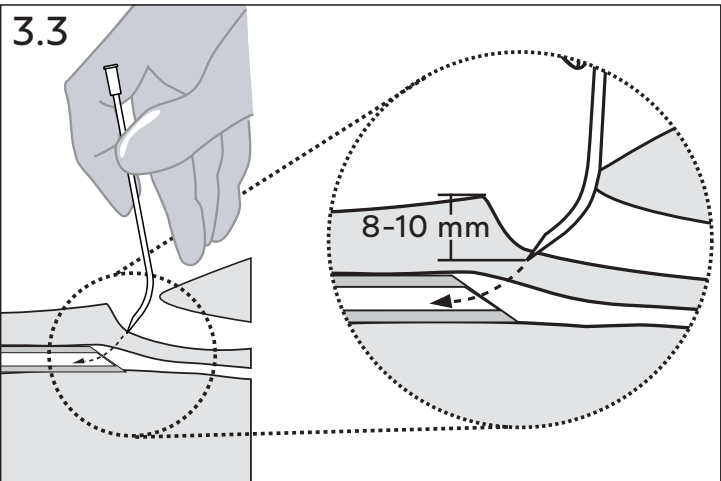
3.1



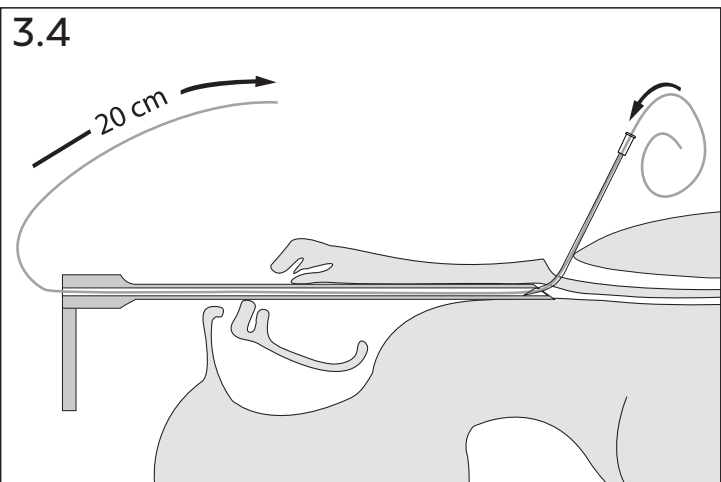
3.2



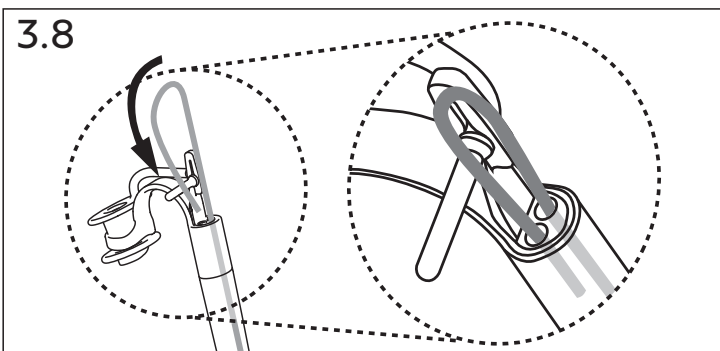
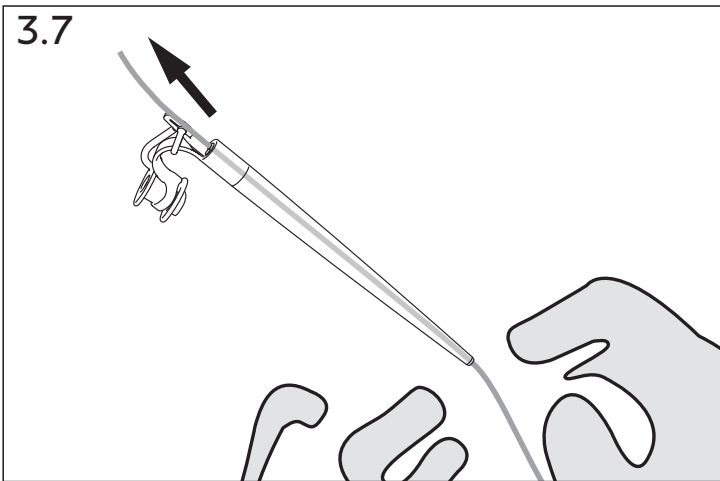
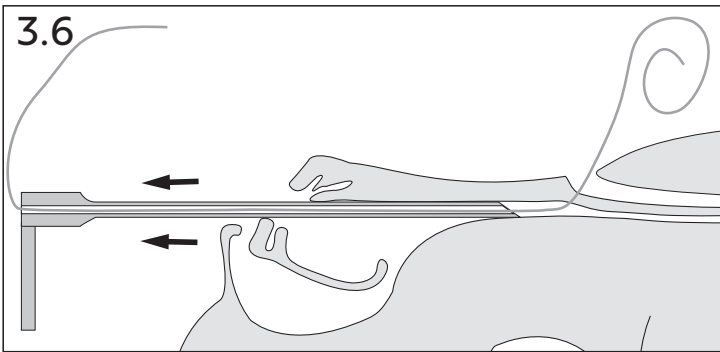
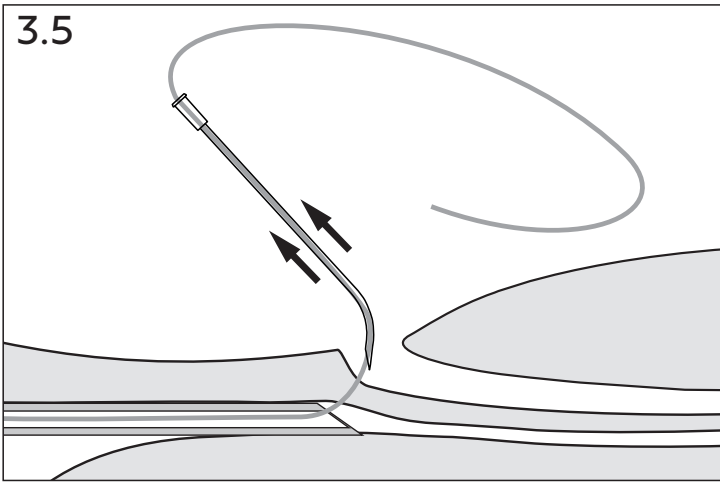
3.3



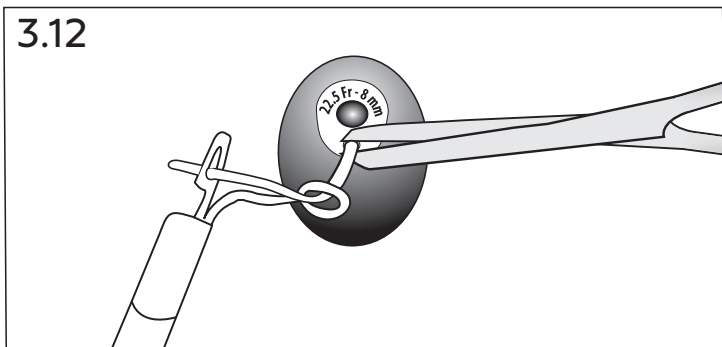
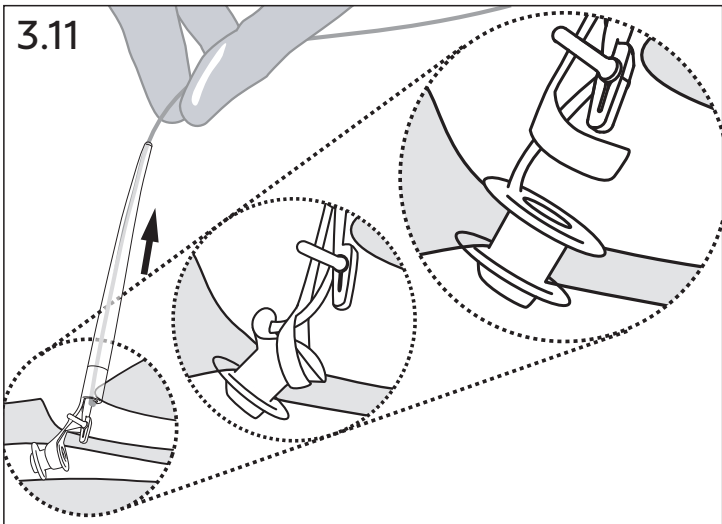
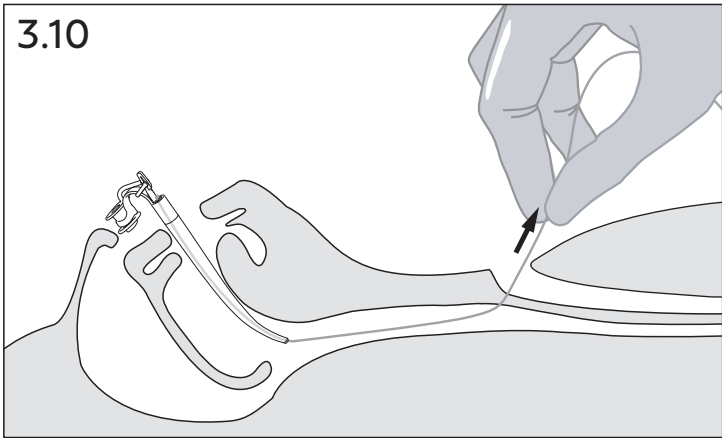
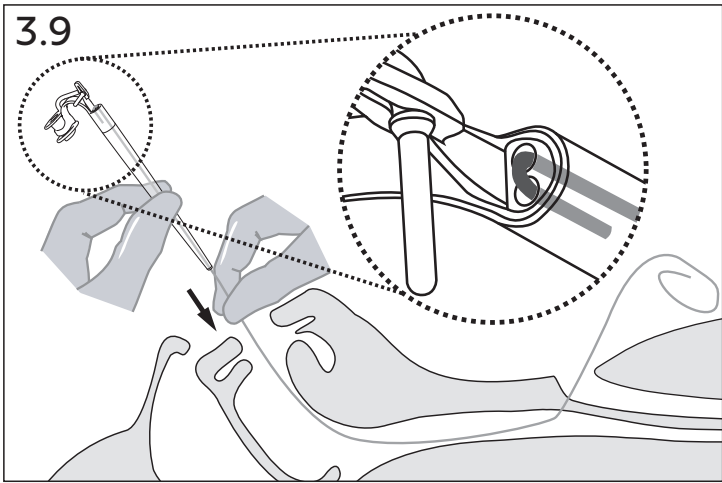
3.4



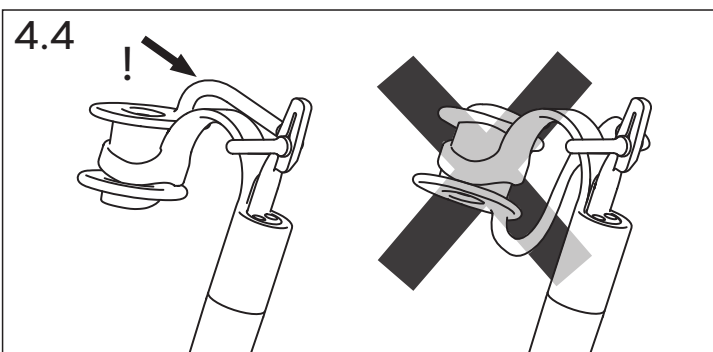
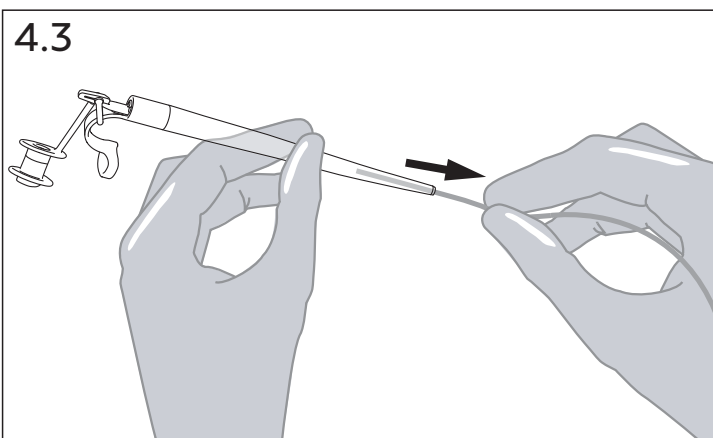
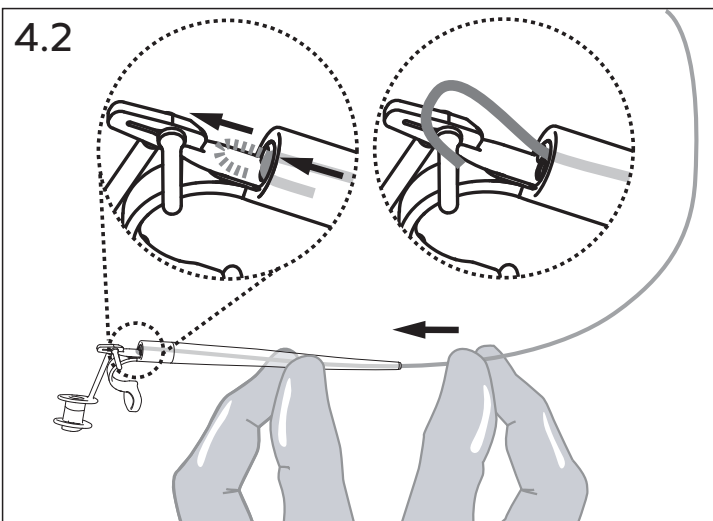
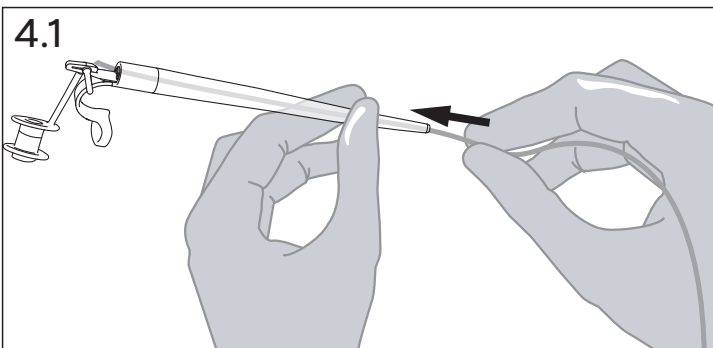
3. Secondary Puncture and Prosthesis placement



3. Secondary Puncture and Prosthesis placement



3. Secondary Puncture and Prosthesis placement



4. Reload of the Puncture Set



10647_01
2025-04-16

Atos
atosmedical.com



Atos Medical AB
Kraftgatan 8, SE-242 35 Hörby, Sweden
Tel: +46 (0)415 198 00 • info@atosmedical.com

Atos and the Atos logo are trademarks of Coloplast A/S.
© 2025 Coloplast A/S. All rights reserved.